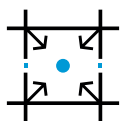


CANOVA

The compact, easy-to-use laser marker

Compact marker for precious metals, combining **high performance**, **precision**, and **ease of use**, thanks to the proprietary MARKo software.



COMPACT

The **reduced size and patented helmet-style opening of the hatch** make Canova a compact laser, ideal for even the smallest spaces.

★ **PATENTED SYSTEM**



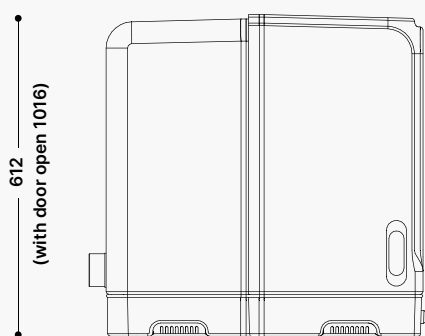
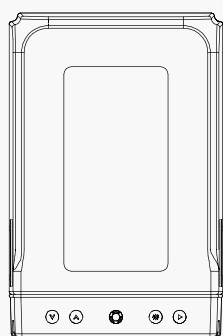
DIGITAL AUTOFOCUS INCLUDED

With its depth camera, Canova enables **precise focusing even for items positioned at the edges of the marking area**. This capability makes it ideal for marking larger objects such as knives or frames.



EASE OF USE

Expert operators? No need! **With the new proprietary software MARKo, a step by step interface guides the operator intuitively through the marking process.**



*dimensions in mm

Discover all our machines, stay connected!



[f](#) [v](#) [@](#) [in](#)

REQUEST A QUOTE

sales@orotig.com

more information on orotig.com

FEATURES

MADE IN ITALY

3 focal lenses

Besides the standard 160 mm lens, it is possible to install the 100 mm lens, which is perfect for high precision work and the 210 mm lens, which is suitable for larger objects.

Available focusing systems

- Digital focus with a depth camera for enhanced precision, ensuring accurate focus even on peripheral area of the surface;
- mechanical focus with a touch probe for automatic Z-axis adjustment based on the detected workpiece value;
- manual focusing using infrared laser pointers.

RGB LED lighting system

The RGB LED strip lights up different colors, providing clear and immediate information of the operational state of the marking machine.



Maximum safety

Maximum safety thanks to the CE-certified inspection window that allows to mark with the door closed without goggles (Class 1 laser).

Double camera

One angled camera offers a panoramic view of the workpiece, while the second one has powerful magnification for viewing the smallest details, up to 0,5 mm in high resolution.

Easy dust recovery

The straight and simple design of the central hose makes it easy to clean without having to detach it from the machine.

TECHNICAL DATA

Canova

LASER TYPE	Diode-Pumped Fiber (Yb) Laser
LASER SOURCE (NOMINAL POWER)	30 W, 50 W
FOCAL LENSES	100 mm, 160 mm, 210 mm
MAX ENGRAVING AREA	60×60 mm, 110×110 mm, 145×145 mm (depending on lens)
Z - AXIS TYPE	With stepper motor
Z - AXIS STROKE	263 mm
SPEED RANGE	Up to 8 m/s
PULSE FREQUENCY	37-600 KHz (30 W) / 40-600 kHz (50 W)
MAX PULSE ENERGY	0,8 mJ 37 kHz (30 W) / 1,25 mJ 40 kHz (50 W)
PULSE WIDTH	200 ns (30 W - 50 W)
BEAM QUALITY	<1,5 (30 W) / <1,8 (50 W)
LASER CLASS	Class 1 (closed), Class 3R (open)
COOLING SYSTEM	Forced air
WAVE LENGTH	1064 nm
POWER SUPPLY	115 - 230 V ±10% 50-60 Hz
SPOT DIAMETER	35 µm
WEIGHT	45 kg

ACCESSORIES



ROTARY & CHUCKS



3 IN 1 CLAMP



CHUCK FOR IRREGULAR RINGS



100 mm FOCAL LENS



TOUCH PROBE



TILTING ANGLED SUPPORT



HONEYCOMB SUPPORT



CHUCK FOR BRACELETS



210 mm FOCAL LENS