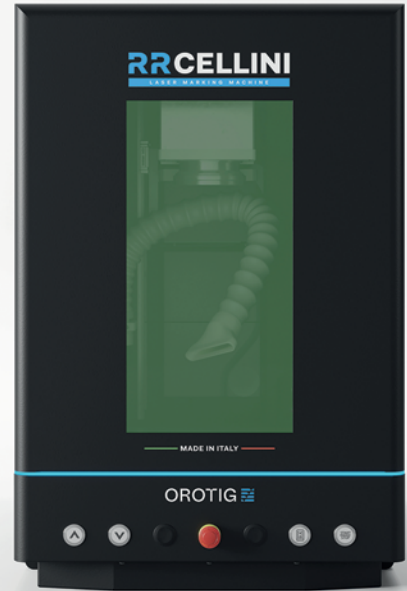


# RRCELLINI

## High definition three-dimensional marking

The RR Cellini marker is an extremely precise laser system that enables **superior three-dimensional marking on metal objects**.



### HIGH DEFINITION OF DETAIL

RR Cellini is perfect for crafting **bas-reliefs, sacred icons, or jewelry with intricate designs**, featuring highly detailed organic or arabesque patterns, thanks to its exceptional detail precision.



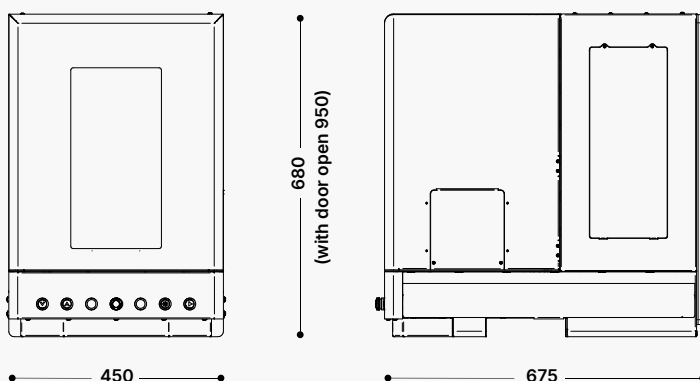
### QUALITY AND PRECISION

RR Cellini delivers a product of the **highest quality and finish**, with a **surface** that is **completely free of porosity** and requires no further heat treatment or polishing.



### EASY TO USE

Thanks to the specially developed **proprietary software** and the simple and intuitive interface, RR Cellini allows even less experienced operators to perform **marking in just a few clicks**.



\*dimensions in mm

Discover all our machines, stay connected!



REQUEST A QUOTE

[sales@orotig.com](mailto:sales@orotig.com)

more information on [orotig.com](http://orotig.com)

# FEATURES

MADE IN ITALY

## Maximum safety

Maximum safety thanks to the CE-certified inspection window that allows to mark with the door closed without the use of goggles.

## Automatic door opening

## MOPA laser source

High-definition marking and special finishing on metals, such as colored marking, thanks to the source with waveforms.

## RGB LED lighting system

The RGB LED strip lights up in different colors, providing clear and immediate information of the operational state of the marking machine.



## High definition

Focused laser beam with 1 micron repeatability for perfectly defined marking details.



# TECHNICAL DATA

RR Cellini

|                              |  |
|------------------------------|--|
| LASER TYPE                   | Ytterbium Impulse Fiber MOPA Laser           |
| LASER SOURCE (NOMINAL POWER) | 30 W   |
| FOCAL LENS                   | 180 mm                                       |
| MAX ENGRAVING AREA           | 130×130 mm                                   |
| Z - AXIS TYPE                | Electrical with manual and software control  |
| Z - AXIS STROKE              | 220 mm                                       |
| SPEED RANGE                  | Up to 10 m/s                                 |
| PULSE FREQUENCY              | 1.6 kHz - 2000 kHz                           |
| BEAM QUALITY                 | ≤ 2  |
| LASER CLASS                  | Class 1 (closed), Class 3R (open)            |
| COOLING SYSTEM               | Forced air                                   |
| WAVELENGTH                   | 1064 nm                                      |
| POWER SUPPLY                 | 230 Vac ± 10%, 50/60 Hz, 1P + N + PE, 0.5 kW |
| WEIGHT                       | 71 kg  |

## TYPES OF MARKABLE MATERIALS

All metals (standard marking)  
Specific alloys of yellow gold, rose gold, silver, titanium, copper, tungsten carbide (widia), bronze, brass, steel, and aluminum (3D marking)

# ACCESSORIES



ROTARY & CHUCKS



CHUCK FOR BRACELETS



CHUCK FOR IRREGULAR RINGS



3 IN 1 CLAMP



TILTING ANGLED SUPPORT