

midi TECH

The ideal partner for the most common goldsmith applications

The Midi Tech laser welder, **reliable and easy to use**, represents the perfect entry-level solution for performing small goldsmithing tasks and repairs.



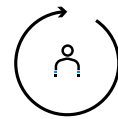
RELIABILITY MADE IN ITALY

The Orotig R&D team has worked to deliver a **reliable and safe product**, with the primary goal of minimizing the need for maintenance and support.



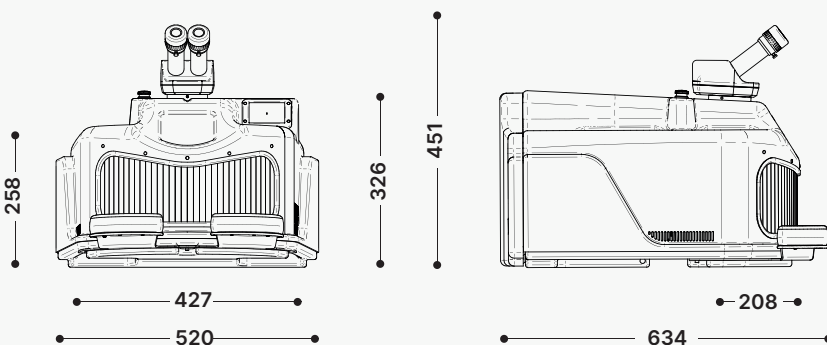
EASY TO USE

The **interface** provides **preset parameters** to facilitate welding on various types of metals, while still allowing more experienced operators to customize the settings based on specific needs.



ERGONOMICS

The **armrest cushions** allow the operator to work in a **comfortable and ergonomic position**, increasing stability during welding.



*dimensions in mm

Discover all our machines, stay connected!



[f](#) [v](#) [@](#) [in](#)

REQUEST A QUOTE

sales@orotig.com

more information on orotig.com

FEATURES

MADE IN ITALY

Emergency

Emergency button in compliance with safety regulations.

Adjustable LED

Adjustable LED lighting system to facilitate welding on reflective metals.

Ergonomics

Armrests to provide comfort and ergonomic support while working.



Security system

Dual security system with mechanical and electrical shutters, to ensure maximum operator's protection.

Touch screen

Very intuitive user interface via touch screen display.

Internal rotary switch

Adjusting working parameters is seamless thanks to the rotary control in the welding chamber.

TECHNICAL DATA

Midi Tech

CRYSTAL TYPE	Nd:YAG @ 1064
PULSE POWER	45 J
PULSE DURATION	8 ms
PEAK PULSE POWER	5.6 kW
AVERAGE POWER	30 W
PULSE FREQUENCY	8 Hz
ELECTRICAL	115-230 VAC±10%, 1P + N + PE, 50/60Hz 1.8 kW
FOCAL DIAMETER	0.2 to 1.5 mm
COMMAND ACCESS	External with 3.5" touch screen display, internal with rotary switch
COOLING SYSTEM	Liquid cooled (1 L) with forced ventilation
WEIGHT	27 Kg

ACCESSORIES



INTERNAL WRIST REST



MOTORISED TABLE



CAMERA AND MONITOR