

revoX

Powerful and reliable for excellent performance

High frequency and peak power and a powerful cooling system make **Revo X** our **highest-performing welder**, capable of **continuously operating for +15 hours**.



MAXIMUM PRODUCTIVITY

Improved working cycle for **+15 hours of continuous welding**.



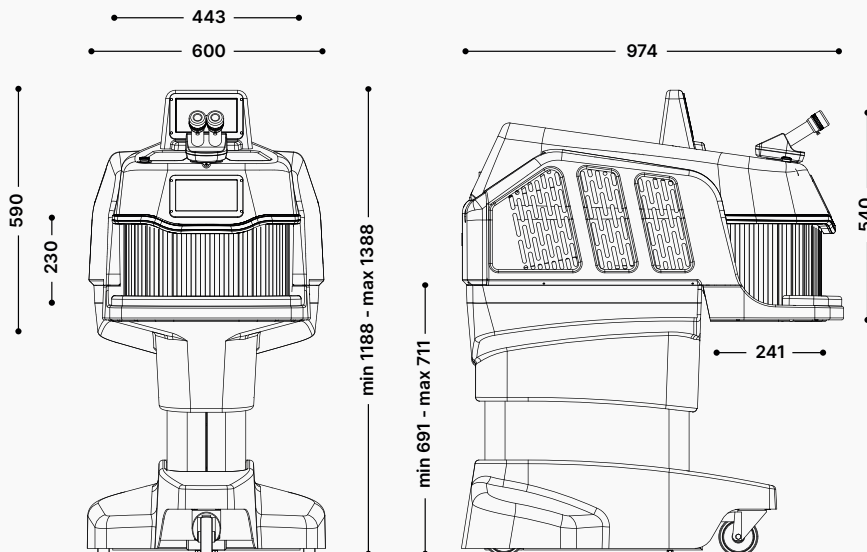
EASE OF USE

Easy to use even for less experienced operators thanks to the **intuitive interface and preset parameters**.



HIGH PERFORMANCE

It easily welds on continuous working cycle even demanding **metals such as silver and platinum**.



*dimensions in mm

Discover all our machines, stay connected!



REQUEST A QUOTE

sales@orotig.com

more information on orotig.com

FEATURES



MADE IN ITALY

Leica microscope

Leica 45° stereo microscope with 10x optical zoom and right-eye crosshair.

Preset program

7" color display with an intuitive interface, with the possibility to view and record jobs and dynamically set work schedules.

IUVAPS™

Sanitizing system

Constant sanitisation of the environment thanks to the IUVAPS™ system, which eliminates dust and pathogens.

Water cooling system

Water cooling system with 10 l tank and double radiator.

Welding chamber with removable bottom

Welding chamber with wide access and possibility of removing the bottom for easy welding even on large workpieces.

Connectivity and Wi-Fi

Telemetry for easy assistance and remote updates.



TECHNICAL DATA

	Revo X	Revo X +	Revo X ²
CRYSTAL TYPE Nd:YAG @ 1064	ø 7 mm	ø 7 mm	ø 7 mm [2]
PULSE POWER	240 J	240 J	280 J
PULSE DURATION	25 ms	25 ms	25 ms
PEAK PULSE POWER	10.0 kW	10.0 kW	12.0 kW
AVERAGE POWER	90 W	120 W	150 W
PULSE FREQUENCY	0 - 40 Hz	0 - 40 Hz	0 - 40 Hz
ELECTRICAL	230 VAC ± 10%, 1P + N + PE, 50/60 Hz, 2.2 kW (X and X+) / 3.6 kW (X ²)		
FOCAL DIAMETER	0.1 to 2 mm		
COMMAND ACCESS	External with 7" capacitive touch screen display, internal with rotary switch		
COOLING SYSTEM	Forced air with double circuit, 8 l liquid and double radiator		
WEIGHT	65 Kg	75 Kg	75 Kg

ACCESSORIES



DYNASCOPE HEAD



INTERNAL WRIST REST



PNEUMATIC PEDAL



ADJUSTABLE MICROSCOPE STAND (5° - 25°)



ANALOGIC PEDAL



HEIGHT-ADJUSTABLE MOTORIZED STAND



HANDRAIL HATCH



ROTARY & DEVICE (Ø 80mm)